



**FACSIMILE EQUIPMENT
PARTS REFERENCE LIST**

MODEL: MFC6490CW

© Copyright Brother 2008

All rights reserved

No part of this publication may be reproduced in any form
or by any means without permission in writing from the
publisher.

Specifications are subject to change without prior notice.

NOTES FOR USING THIS PARTS REFERENCE LIST

1. In the case of ordering parts, it needs mentioning the following items:

- (1) Code
- (2) Q' ty
- (3) Description
- (4) Recommend (The \checkmark mark is attached to recommend parts at this column.)
- (5) Symbol (PCB No., Revision, and Parts location mounted on the PCB.)

Note: Orders without Parts Code or Tool No. can not be accepted.

[Example]

	(1)	(2)	(3)	(4)	(5)	
REF.NO.	CODE	Q' TY	DESCRIPTION	RECOMMEND	SYMBOL	REMARKS

2. Design-changed parts:

When the parts are changed, any one of the following symbols is mentioned in the REMARKS column.

CHG (chg): The part is changed to a new part.

ADD (add): The part is newly added.

DEL (del): The part is deleted.

Symbol in capital letters indicates that the change is the latest one in the page.

3. Parts change will be informed by the technical information.

COUNTRIES

U.S.A. ---- US

CANADA ---- CAN

GERMANY ---- GER

UNITED KINGDOM ---- UK

FRANCE ---- FRA

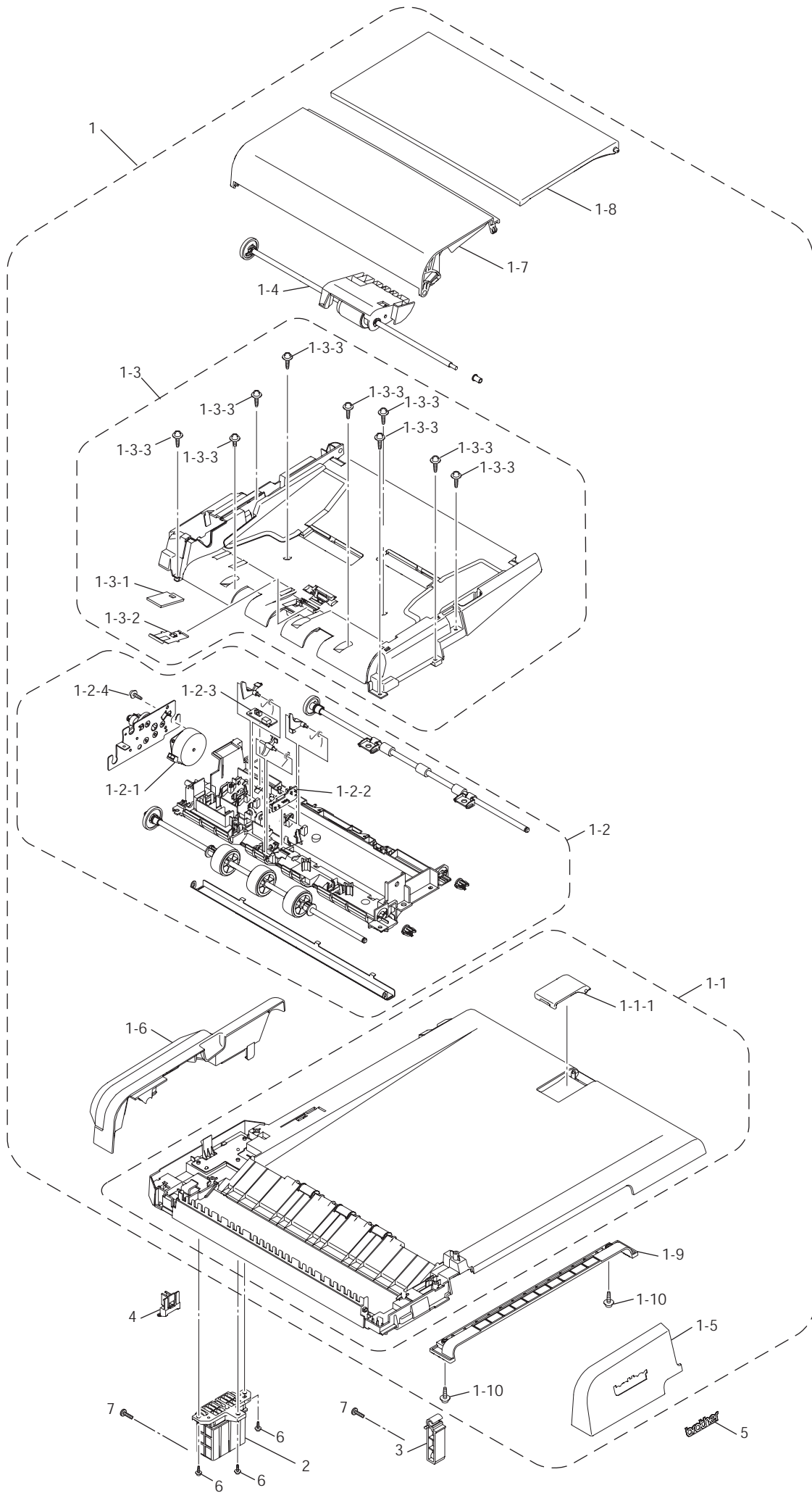
SPAIN ---- SPA

ITALY ---- ITA

CONTENTS

1.	<u>ADF</u>	1
2.	<u>SCANNER</u>	3
3.	<u>ENGINE</u>	5
4.	<u>CARTRIDGE CASE</u>	7
5.	<u>HEAD</u>	9
6.	<u>PAPER TRAY</u>	11
7.	<u>LOWER TRAY</u>	13
8.	<u>COVER</u>	15
9.	<u>PANEL</u>	17
10.	<u>PCB</u>	20
11.	<u>ACCESSORIES</u>	22
12.	<u>PRINTED MATERIALS</u>	25
13.	<u>PACKAGING</u>	28
14.	<u>OTHERS</u>	31

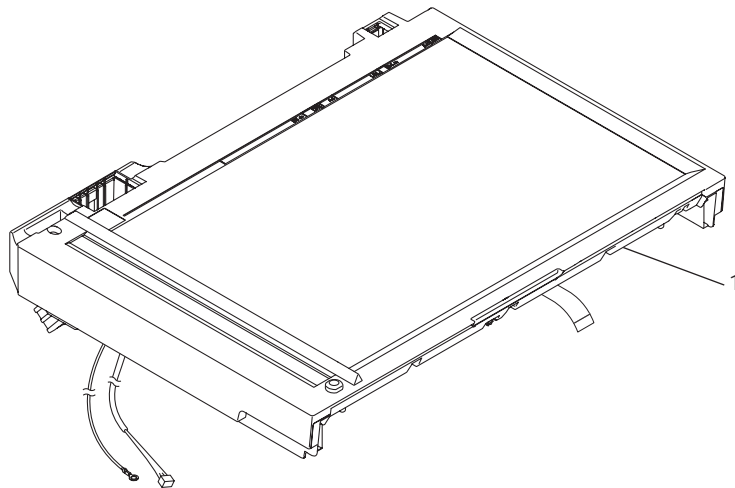
1 ADF



List1(ADF)

REF No.	CODE	Q'TY	DESCRIPTION	RECOMMEND	SYMBOL	REMARKS
1	LS5928001	1	ADF UNIT ASSY (SP)	√		
1-1	LS4565001	1	DOCUMENT COVER ASSY			
1-1-1	LS4574005	1	DOCUMENT STOPPER			
1-2	LS4577001	1	LOWER ADF CHUTE ASSY			
1-2-1	LS4586001	1	ADF MOTOR			
1-2-2	LT0293001	1	DOCUMENT SENSOR PCB ASSY		B53K964	
1-2-3	LT0297001	1	DOCUMENT WIDTH SENSOR PCB ASSY		B53K966	
1-2-4	087311016	1	TAPTITE CUP B M3X10			
1-3	LS4612001	1	UPPER ADF CHUTE ASSY			
1-3-1	LS4615001	1	SEPARATION RUBBER			
1-3-2	LS4617001	1	SEPERATION PLATE			
1-3-3	087311016	9	TAPTITE CUP B M3X10			
1-4	LS4622001	1	DOCUMENT PULL-IN/SEPERATION ROLLER ASSY			
1-5	LS4635005	1	ADF FRONT COVER			
1-6	LS4636005	1	ADF REAR COVER			
1-7	LS4637001	1	ADF COVER ASSY			
1-8	LS4641004	1	DOCUMENT SUPPORT			
1-9	LS4642005	1	ADF HANDLE COVER			
1-10	087311016	2	TAPTITE CUP B M3X10			
2	LS4643001	1	HINGE ARM L			
3	LE6244005	1	HINGE ARM R			
4	LS4644001	1	HARNESS SUPPORT			
5	LS4687001	1	EMBLEM BROTHER			
6	087321016	3	TAPTITE CUP S M3X10			
7	LS5772001	2	TAPTITE BIND B M4X12 M9			

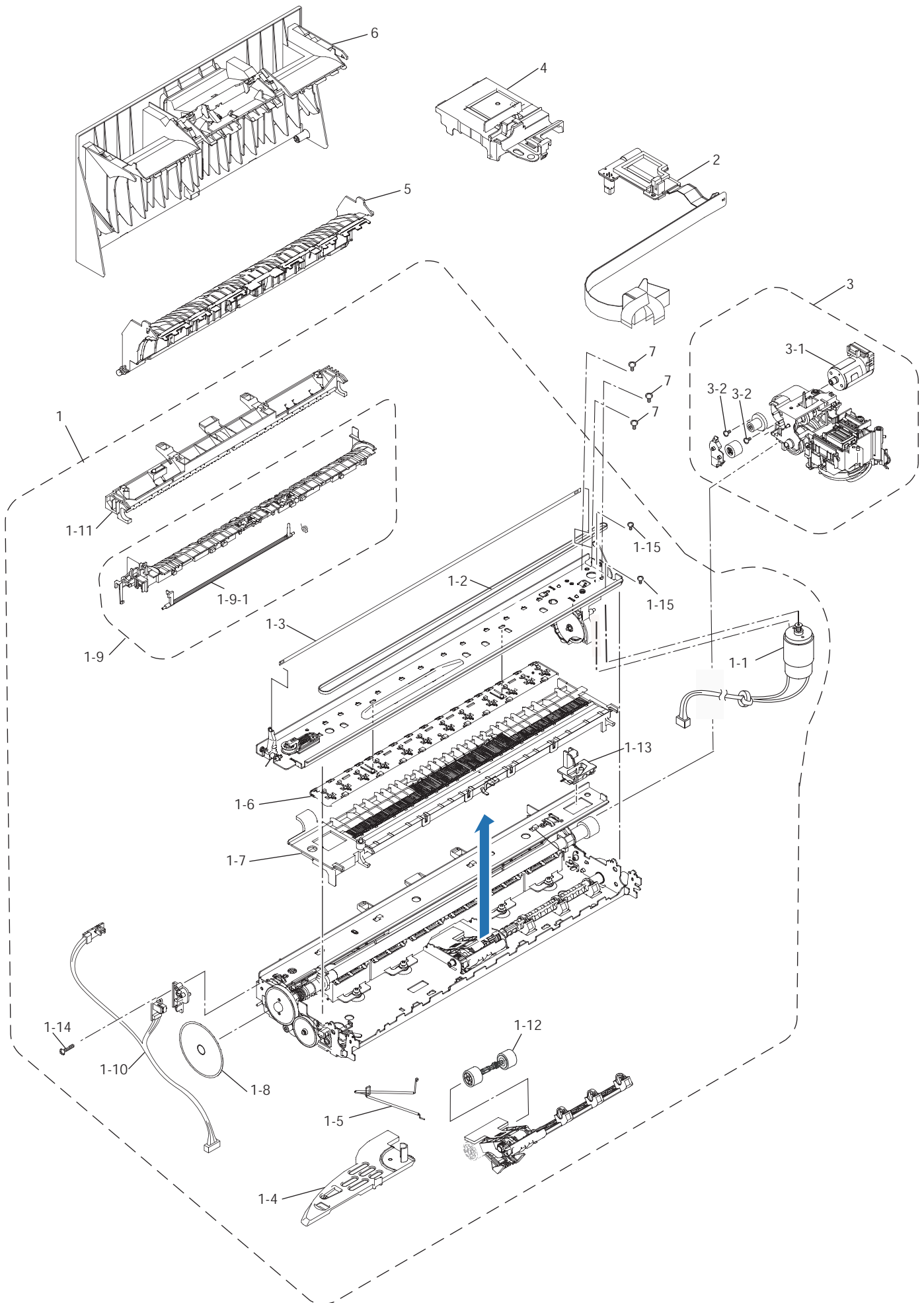
2 SCANNER



List2(SCANNER)

REF No.	CODE	Q'TY	DESCRIPTION	RECOMMEND	REMARKS
1	LS5921001	1	SCANNER UNIT ASSY (SP)	√	

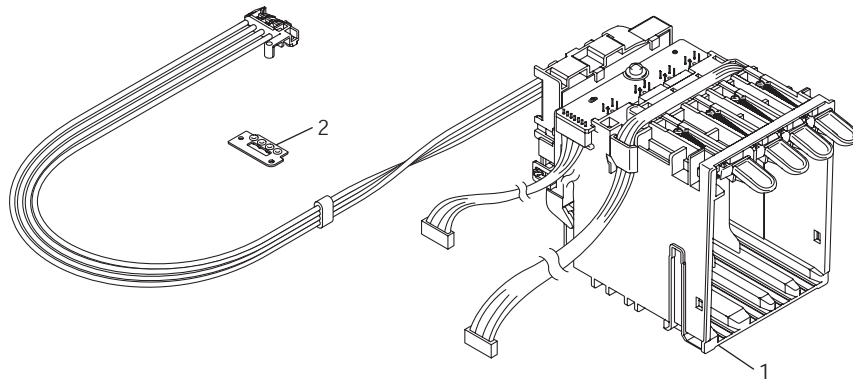
3 ENGINE



List3(ENGINE)

REF No.	CODE	QTY	DESCRIPTION	RECOMMEND	REMARKS
1	LS5936001	1	ENGINE UNIT ASSY (SP)		
1-1	LS4376001	1	CARRIAGE MOTOR ASSY		
1-2	LS4001001	1	TIMING BELT		
1-3	LS4379001	1	CR ENCODER STRIP		
1-4	LS4386001	1	TUBE SUPPORT PLATE		
1-5	LS4387001	1	TUBE SUPPORT WIRE		
1-6	LS4302001	1	STAR WHEEL HOLDER ASSY		
1-7	LS4305001	1	PLATEN ASSY		
1-8	LP1471001	1	PF ENCODER DISK		
1-9	LS4033001	1	INNER CHUTE ASSY		
1-9-1	LS4036001	1	REGISTRATION SENSOR ACTUATOR		
1-10	LT0350001	1	PF ENCODER/REGISTRATION SENSOR HARNESS		
1-11	LS4038005	1	SUB INNER BACK COVER		
1-12	LS4904001	1	PAPER PULL-IN ROLLER ASSY		
1-13	LS4098001	1	SWITCHING LEVER GUIDE		
1-14	000021206	1	SCREW BIND M2X12		
1-15	000300606	2	SCREW BIND M3X6		
2	LS5946001	1	CARRIAGE PCB UNIT ASSY (SP)		
3	LS5945001	1	MAINTENANCE UNIT ASSY (SP)		
3-1	LS4091001	1	ASF MOTOR ASSY		
3-2	LS4375001	2	SCREW PAN (S/P WASHER) M3X5		
4	LS4383001	1	HEAD COVER ASSY		
5	LS4040001	1	INNER BACK COVER		
6	LS4054001	1	OUTER BACK COVER		
7	087311016	3	TAPTITE CUP B M3X10		

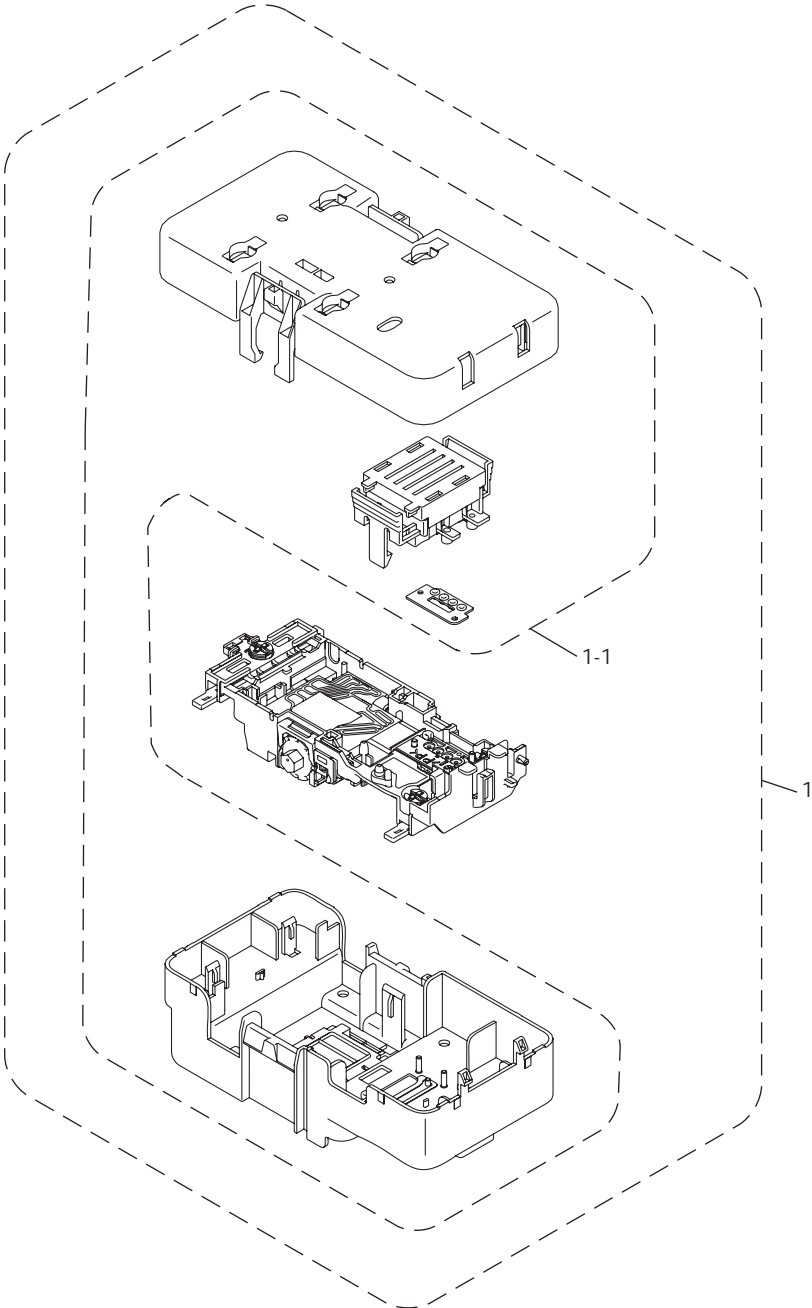
4 CARTRIDGE CASE



List4(CARTRIDGE CASE)

REF No.	CODE	Q'TY	DESCRIPTION	RECOMMEND	SYMBOL	REMARKS
1	LK3552001	1	INK REFILL ASSY (SP)	√		
2	LS5888001	1	HEAD JOINT RUBBER (SP)			

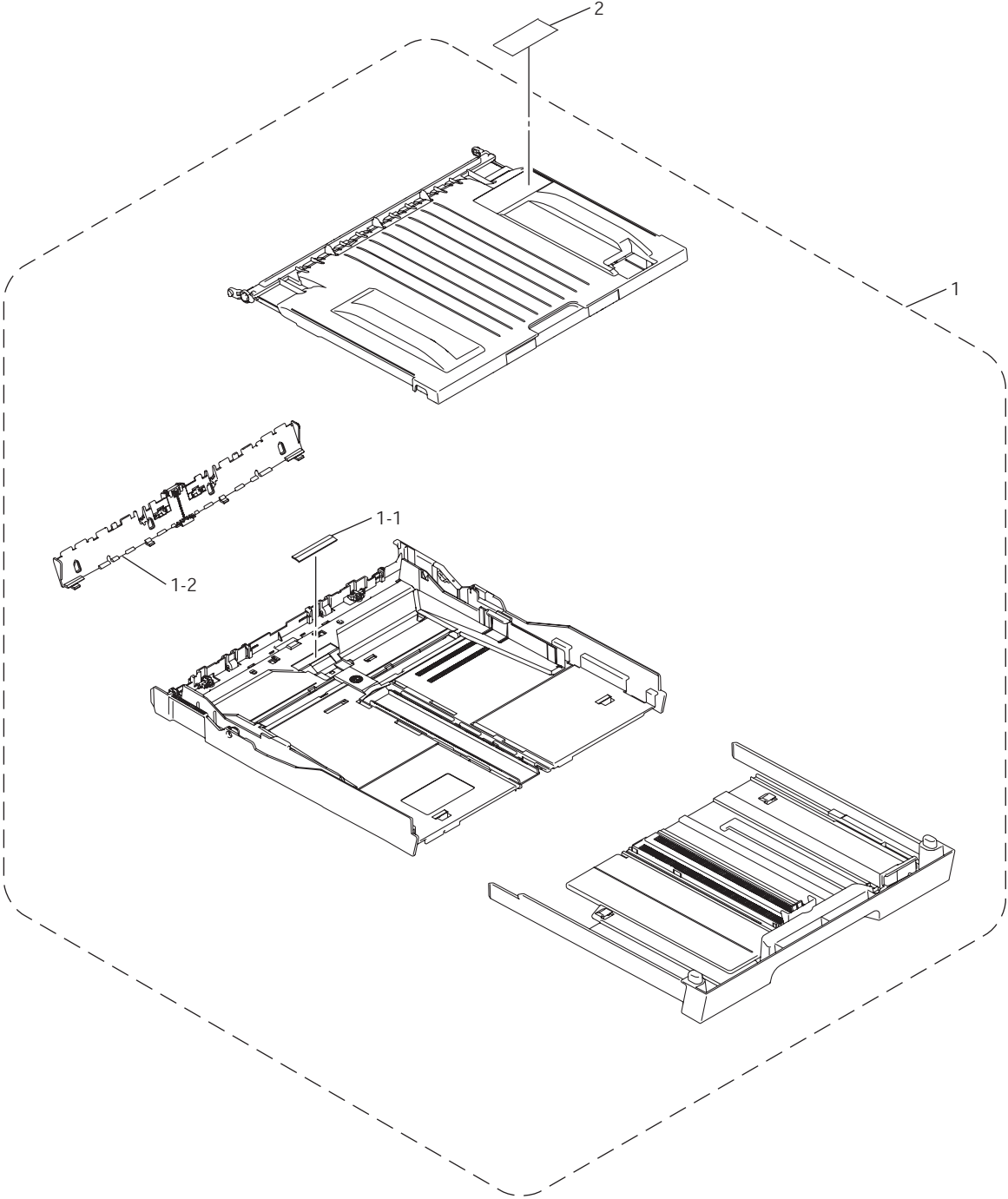
5 HEAD



List5(HEAD)

REF No.	CODE	Q'TY	DESCRIPTION	RECOMMEND	REMARKS
1	LK3197001	1	HEAD/CARRIAGE UNIT SUPPLY ASSY (without CARRIAGE PCB ASSY)		
1-1	LK3215001	1	PROTECTOR PARTS SUPPLY ASSY(SP)		

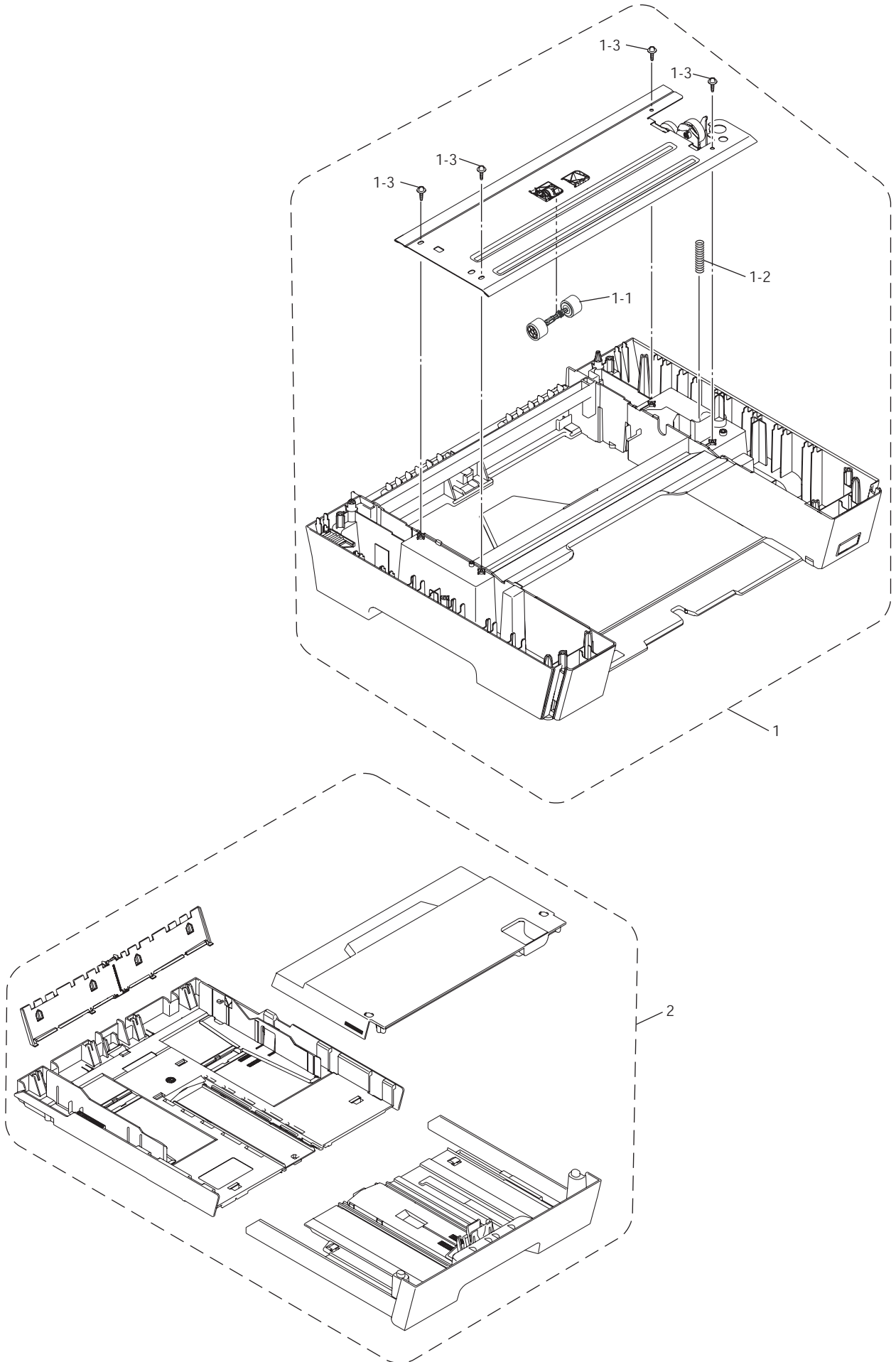
6 PAPER TRAY



List6(PAPER TRAY)

REF No.	CODE	Q'TY	DESCRIPTION	RECOMMEND	REMARKS
1	LS5890001	1	PAPER TRAY A3 ASSY(SP)		
1-1	LP1575001	1	BASE PAD		
1-2	LS4115001	1	BANK ASSY		
2	LS5475001	1	EXIT INSTRUCTION LABEL		

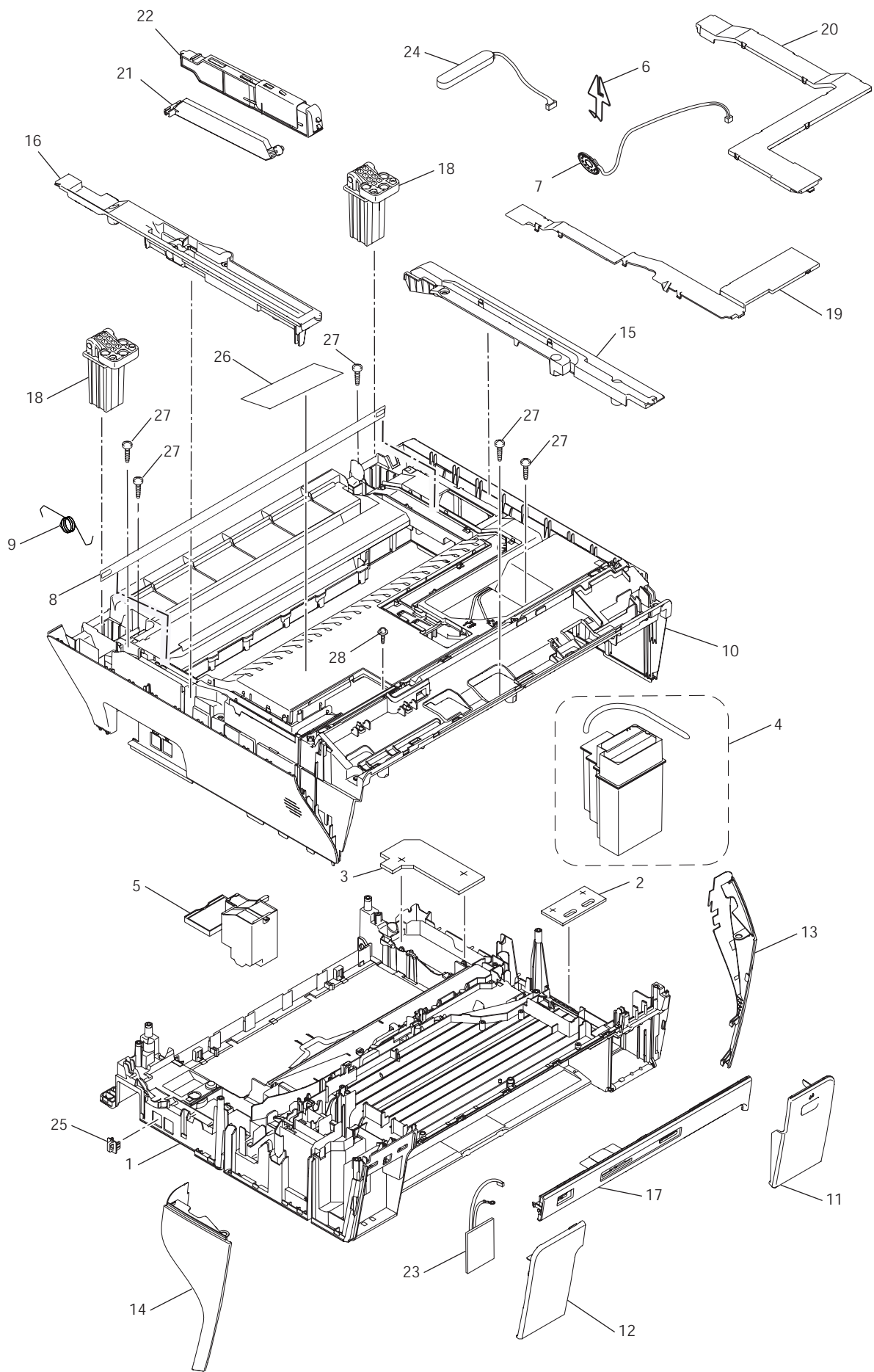
7 LOWER TRAY



List7(LOWER TRAY)

REF	CODE	Q'TY	DESCRIPTION	RECOMMEND	REMARK
1	LS4168001	1	LT COVER ASSY		
1-1	LP1094001	1	LT PAPER PULL-IN ROLLER ASSY		
1-2	LP5185001	1	TORQUE SPRING LT		
1-3	087311016	4	TAPTITE CUP B M3X10		
2	LS5891001	1	PAPER TRAY ASSY LT(SP)		

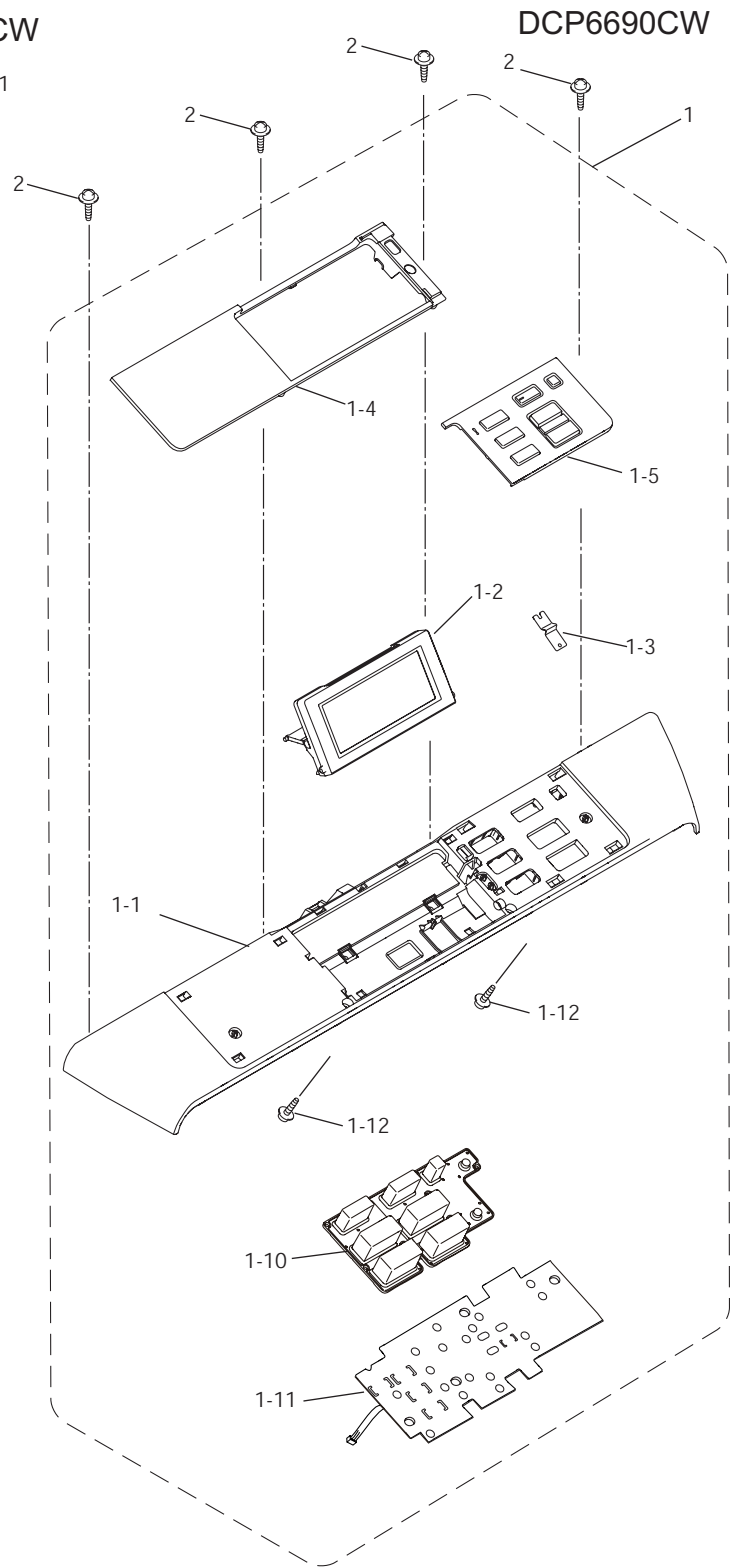
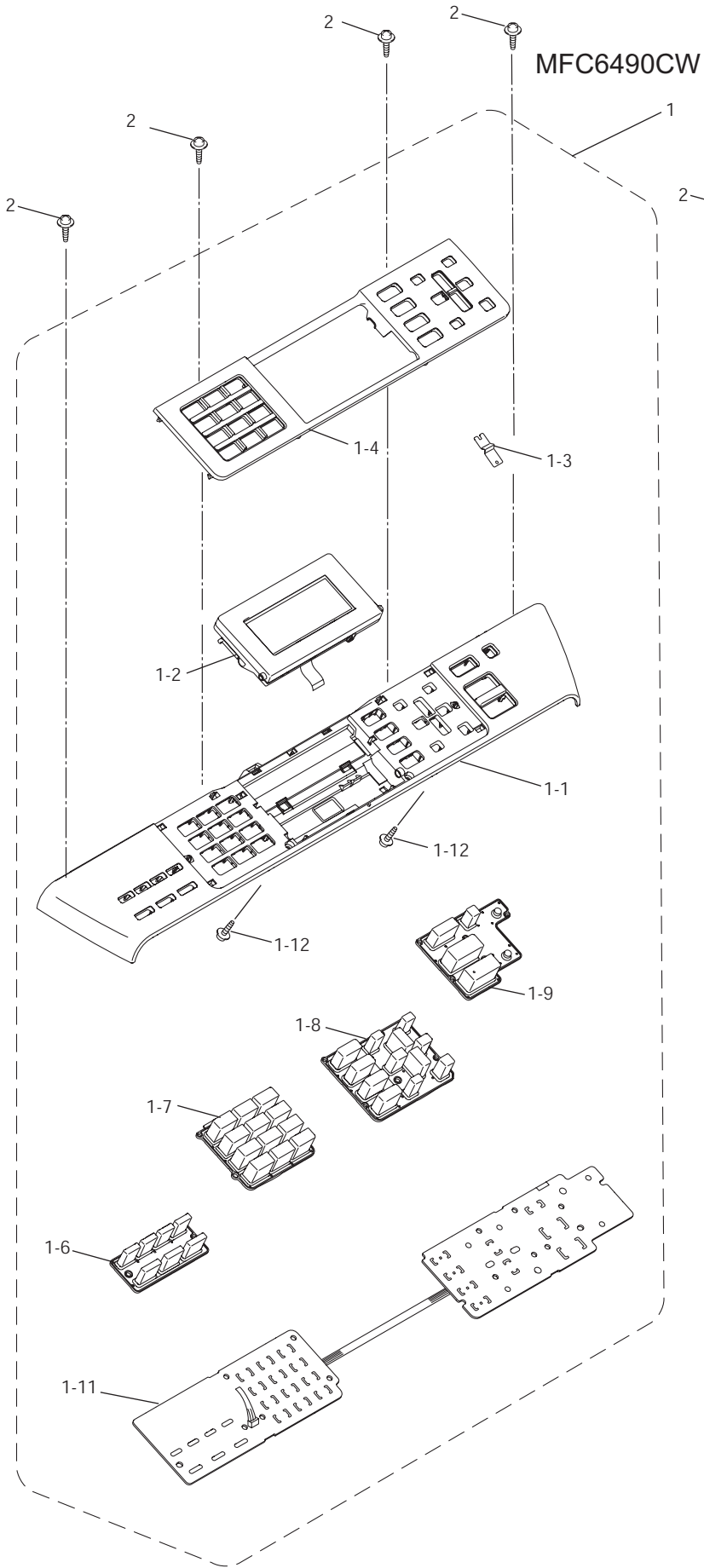
8 COVER



List8(COVER)

REF No.	CODE	QTY	DESCRIPTION	RECOMMEND	SYMBOL	REMARKS
1	LS4698005	1	LOWER COVER			
2	LS4699001	1	INK ABSORBER FELT			
3	LS4700001	1	INK FOAM M			
4	LS5889001	1	INK ABSORBER TUBE ASSY (SP)			
5	LS4707001	1	FLUSHING BOX ASSY	√		
6	LS4714001	1	SPEAKER SPRING			
7	LT0375001	1	SPEAKER UNIT			
8	LS5901001	1	ENCODER GUARD FILM A3			
9	LS5902001	1	ENCODER GUARD SPRING			
10	LS4718005	1	UPPER COVER			
11	LS6306001	1	INK CARTRIDGE COVER LABEL ASSY FOR US			
11	LS6307001	1	INK CARTRIDGE COVER LABEL ASSY EXCEPT FOR US			
12	LS4720005	1	FRONT COVER			
13	LS4721006	1	SIDE COVER R			
14	LS4722006	1	SIDE COVER L			
15	LS4723005	1	EDGE COVER R			
16	LS4724005	1	EDGE COVER L			
17	LS4725005	1	MEDIA MODULE COVER			
18	LS4727001	1	FB HINGE			
19	LS4728005	1	HARNESS COVER			
20	LS4729005	1	CIS FLAT CABLE COVER			
21	LS4731007	1	SCANNER COVER SUPPORT			
22	LS4733001	1	SCANNER COVER DAMPER			
23	LT0661001	1	WLAN PCB			
24	LT0319001	1	BACKUP BATTERY			
25	LE8842001	1	EXT CAP, MFC6490CW FOR US/CAN/SPA			
25	UF5745000	1	MJ COVER EXT, MFC6490CW FOR GER/UK/FRA/ITA			
26	LS5867001	1	ENCODER CAUTION LABEL			
27	085411216	5	TAPTITE BIND B M4X12			
28	087311016	1	TAPTITE CUP B M3X10			

9 PANEL



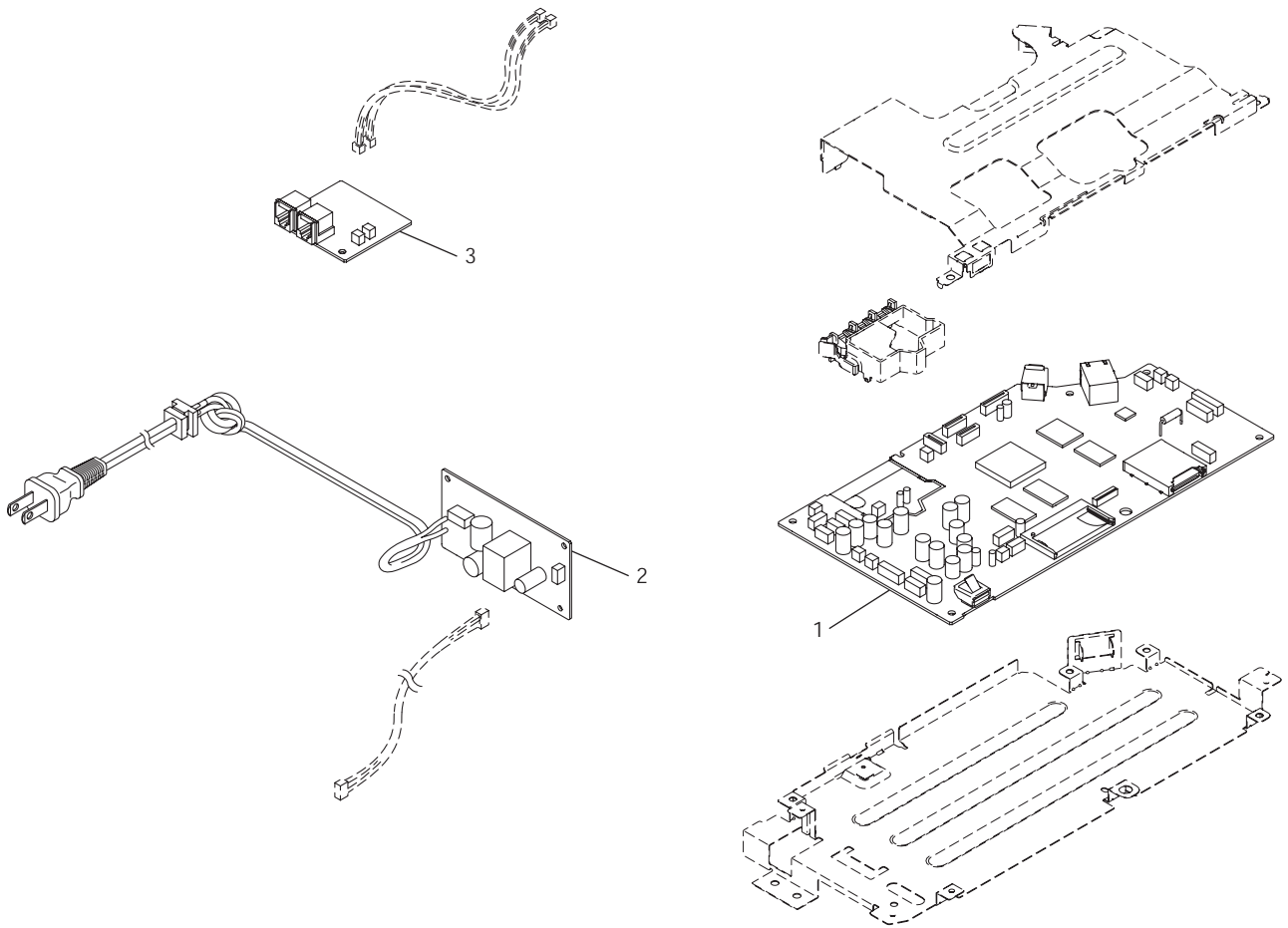
List9(PANEL US)

REF No.	CODE	Q'TY	DESCRIPTION	RECOMMEND	SYMBOL	REMARKS
1	LS4738001	1	CONTROL PANEL ASSY	√		
1-1	LS4740001	1	CONTROL PANEL BASE			
1-2	LS4754001	1	COLOR LCD UNIT			
1-3	LS4760001	1	LATCH SPRING			
1-4	LS4761001	1	PRINTED PANEL PLATE			
1-5	----		NOT USED			
1-6	LS4742001	1	PRINTED RUBBER KEY M9 FUNCTION			
1-7	LS4744001	1	PRINTED RUBBER KEY M9 TEN			
1-8	LS4746001	1	PRINTED RUBBER KEY MENU			
1-9	LS4748001	1	PRINTED RUBBER KEY M9 ON/OFF			
1-10	----	1	NOT USED			
1-11	LT0432001	1	CONTROL PANEL PCB ASSY		B53K975	
1-12	085310816	2	TAPTITE BIND B M3X8			
2	087311016	4	TAPTITE CUP B M3X10			

List9(PANEL EU)

REF No.	CODE	Q'TY	DESCRIPTION	RECOMMEND	SYMBOL	REMARKS
1	LS5785001	1	CONTROL PANEL ASSY, MFC6490CW FOR GER	√		
1	LS5319001	1	CONTROL PANEL ASSY, MFC6490CW FOR UK	√		
1	LS5813001	1	CONTROL PANEL ASSY, MFC6490CW FOR FRA	√		
1	LS5815001	1	CONTROL PANEL ASSY, MFC6490CW FOR SPA	√		
1	LS5816001	1	CONTROL PANEL ASSY, MFC6490CW FOR ITA	√		
1-1	LS5786001	1	CONTROL PANEL BASE, MFC6490CW FOR GER			
1-1	LS5320001	1	CONTROL PANEL BASE, MFC6490CW FOR UK			
1-1	LS5819001	1	CONTROL PANEL BASE, MFC6490CW FOR FRA			
1-1	LS5821001	1	CONTROL PANEL BASE, MFC6490CW FOR SPA			
1-1	LS5822001	1	CONTROL PANEL BASE, MFC6490CW FOR ITA			
1-2	LS4754001	1	COLOR LCD UNIT			
1-3	LS4760001	1	LATCH SPRING			
1-4	LS5787001	1	PRINTED PANEL PLATE, MFC6490CW FOR GER			
1-4	LS5321001	1	PRINTED PANEL PLATE, MFC6490CW FOR UK			
1-4	LS5825001	1	PRINTED PANEL PLATE, MFC6490CW FOR FRA			
1-4	LS5827001	1	PRINTED PANEL PLATE, MFC6490CW FOR SPA			
1-4	LS5828001	1	PRINTED PANEL PLATE, MFC6490CW FOR ITA			
1-5	----		NOT USED			
1-6	LS4742001	1	PRINTED RUBBER KEY M9 FUNCTION			
1-7	LS4744001	1	PRINTED RUBBER KEY M9 TEN			
1-8	LS4746001	1	PRINTED RUBBER KEY MENU			
1-9	LS4748001	1	PRINTED RUBBER KEY M9 ON/OFF			
1-10	----	1	NOT USED			
1-11	LT0432001	1	CONTROL PANEL PCB ASSY		B53K975	
1-12	085310816	2	TAPTITE BIND B M3X8			
2	087311016	4	TAPTITE CUP B M3X10			

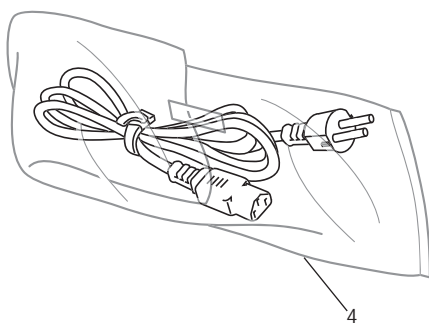
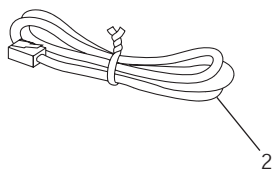
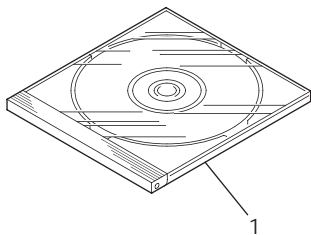
10 PCB



List10(PCB)

REF No.	CODE	QTY	DESCRIPTION	RECOMMEND	SYMBOL	REMARKS
1	LT0314021	1	MAIN PCB ASSY	√	B53K959	
2	LT0416001	1	POWER SUPPLY PCB ASSY, MFC6490CW FOR US/CAN (INCLUDING AC CORD)	√		
2	LT0485001	1	POWER SUPPLY PCB ASSY, MFC6490CW EXCEPT FOR US/CAN (EXCLUDING AC CORD)	√		
3	LT0405001	1	MJ PCB ASSY, MFC6490CW FOR US/CAN	√	B53K967	
3	LT0405004	1	MJ PCB ASSY, MFC6490CW EXCEPT FOR US/CAN	√	B53K967	

11 ACCESSORIES



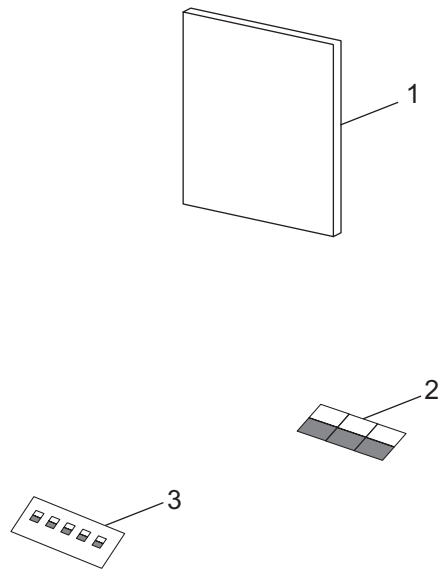
List11(Accessories US)

REF No.	CODE	QTY	DESCRIPTION	RECOMMEND	REMARKS
1	LS4878001	1	CD-ROM ASSY, MFC6490CW FOR US/CAN		
2	LG3077001	1	TELEPHONE LINE CORD CSA		
(3)	----		NOT USED		
4	----		NOT USED		

List11(ACCESSORIES EU)

REF No.	CODE	QTY	DESCRIPTION	RECOMMEND	REMARKS
1	LS5098001	1	CD-ROM ASSY, MFC6490CW FOR GER/UK/FRA		
1	LS5099001	1	CD-ROM ASSY, MFC6490CW FOR SPA/ITA		
2	UG3625001	1	TELEPHONE LINE CORD FOR GER		
2	UG3626001	1	TELEPHONE LINE CORD FOR UK		
2	LG3077001	1	TELEPHONE LINE CORD FOR UK/SPA		
2	UG3634001	1	TELEPHONE LINE CORD FOR ITA		
2	UG3627001	1	TELEPHONE LINE CORD FOR FRA		
(3)	----		NOT USED		
4	LG5717001	1	AC CORD BAG ASSY LF VDE		
4	LG5692001	1	AC CORD BAG ASSY LF UK		

12 PRINTED MATERIALS



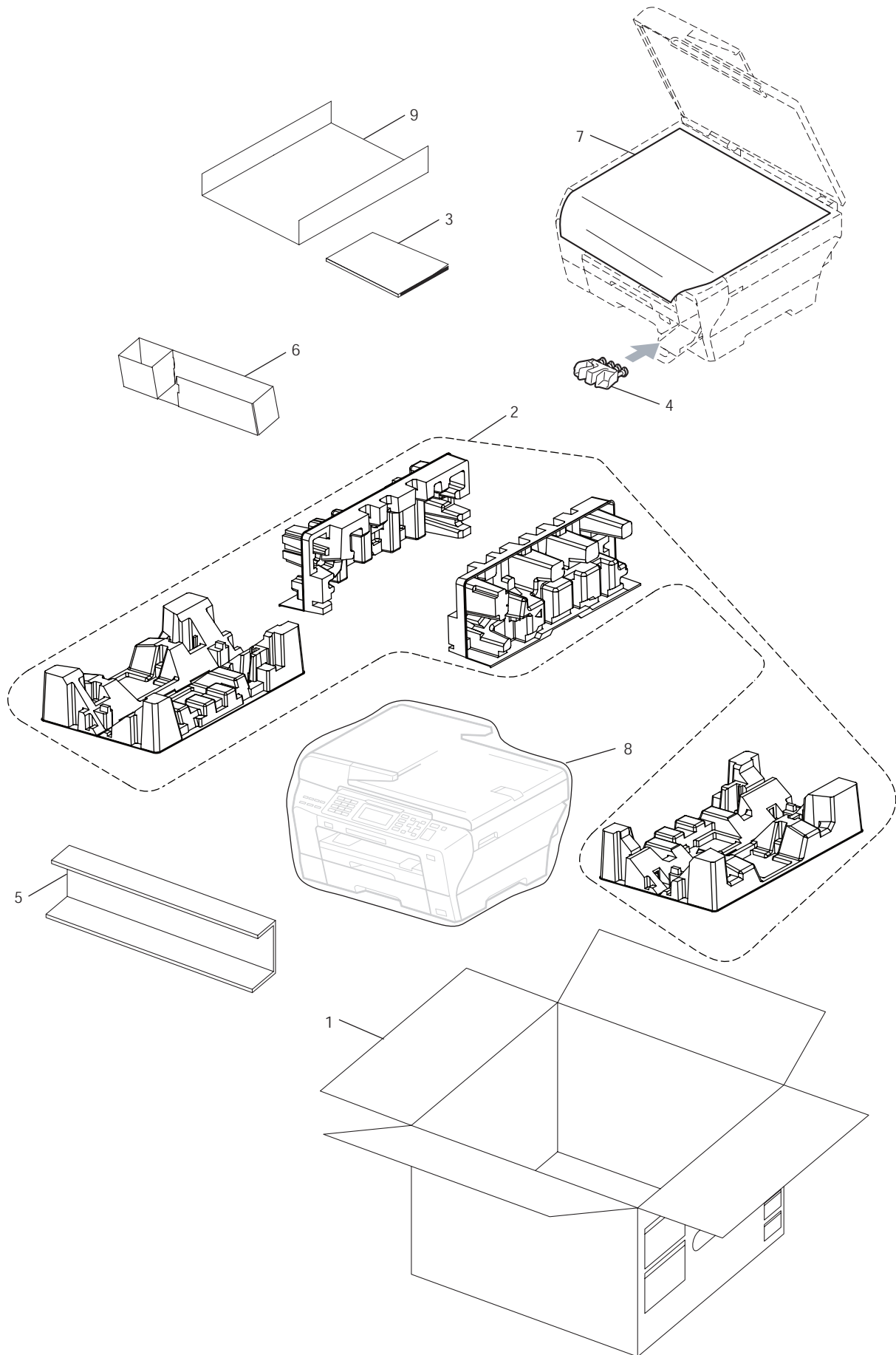
List12(PRINTED MATERIALS US)

REF No.	CODE	Q'TY	DESCRIPTION	RECOMMEND	REMARKS
1	LS5741001	1	USER'S GUIDE, MFC6490CW FOR US/CAN (ENGLISH)		
1	LS5741002	1	USER'S GUIDE, MFC6490CW FOR CAN (FRENCH)		
2	LS5575001	1	ADDRESS LABEL		
3	LS5749001	1	FRENCH SEAL, MFC6490CW FOR CAN		

List12(PRINTED MATERIALS EU)

REF No.	CODE	QTY	DESCRIPTION	RECOMMEND	REMARKS
1	LS5792003	1	USER'S GUIDE, MFC6490CW FOR GER		
1	LS5792004	1	USER'S GUIDE, MFC6490CW FOR UK		
1	LS5792005	1	USER'S GUIDE, MFC6490CW FOR FRA		
1	LS5792015	1	USER'S GUIDE, MFC6490CW FOR SPA		
1	LS5792016	1	USER'S GUIDE, MFC6490CW FOR ITA		
2	LS5575001	1	ADDRESS LABEL		
3	----		NOT USED		

13 PACKAGING



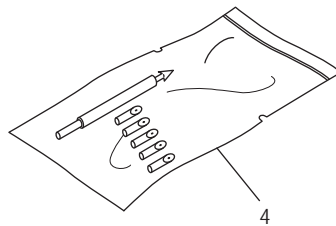
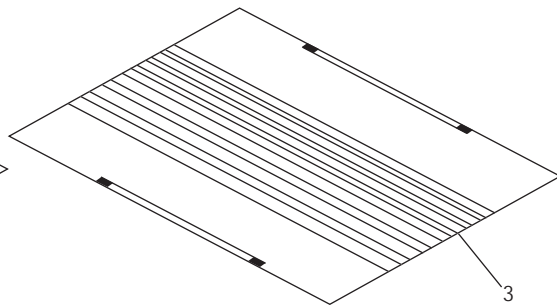
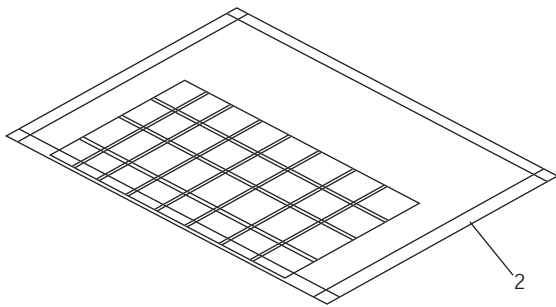
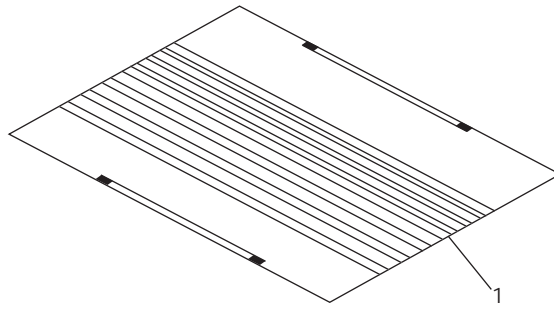
List13(PACKAGING US)

REF No.	CODE	QTY	DESCRIPTION	RECOMMEND	REMARKS
1	LS5744001	1	CARTON BROTHER, MFC6490CW FOR US	√	
1	LS5753001	1	CARTON BROTHER, MFC6490CW FOR CAN	√	
2	LS4770001	1	PULP CUSHION ASSY		
3	LS5745001	1	QUICK SETUP GUIDE, MFC6490CW FOR US/CAN(ENGLISH)		
3	LS5745002	1	QUICK SETUP GUIDE, MFC6490CW FOR CAN (FRENCH)		
4	LK3333001	1	PROTECT CARTRIDGE ASSY CLEANING		
5	LS5001001	1	PAPER TRAY PAD		
6	LS4776001	1	ACCESSORIES SHEET		
7	LS4777001	1	SHEET 540X540		
8	LS4778001	1	PE BAG 1200X1000H		
9	LS6182001	1	ACCESSORIES TRAY A3 FOR CAN		

List13(PACKAGING EU)

REF No.	CODE	Q'TY	DESCRIPTION	RECOMMEND	REMARKS
1	LS5800001	1	CARTON BROTHER, MFC6490CW FOR GER/UK/FRA/SPA/ITA	√	
2	LS4770001	1	PULP CUSHION ASSY		
3	LS5799003	1	QUICK SETUP GUIDE, MFC6490CW FOR GER		
3	LS5799004	1	QUICK SETUP GUIDE, MFC6490CW FOR UK		
3	LS5799005	1	QUICK SETUP GUIDE, MFC6490CW FOR FRA		
3	LS5799015	1	QUICK SETUP GUIDE, MFC6490CW FOR SPA		
3	LS5799016	1	QUICK SETUP GUIDE, MFC6490CW FOR ITA		
4	LK3333001	1	PROTECT CARTRIDGE ASSY CLEANING		
5	LS5001001	1	PAPER TRAY PAD		
6	LS4776001	1	ACCESSORIES SHEET		
7	LS4777001	1	SHEET 540X540		
8	LS4778001	1	PE BAG 1200X1000H		
9	LS6182001	1	ACCESSORIES TRAY A3		

14 OTHERS



List14(OTHERS)

REF No.	CODE	QTY	DESCRIPTION	RECOMMEND	REMARKS
1	UF8263001	1	TEST CHART-027		
2	UF9258001	1	COLOR TEST CHART CTC-001		
3	UF4600001	1	CONTRAST CHART TC-023		
4	ZA0310001	1	HEAD CLEANER STICK ASSY		

brother®

PL-FAX149
8CAF11
Ver. A-1